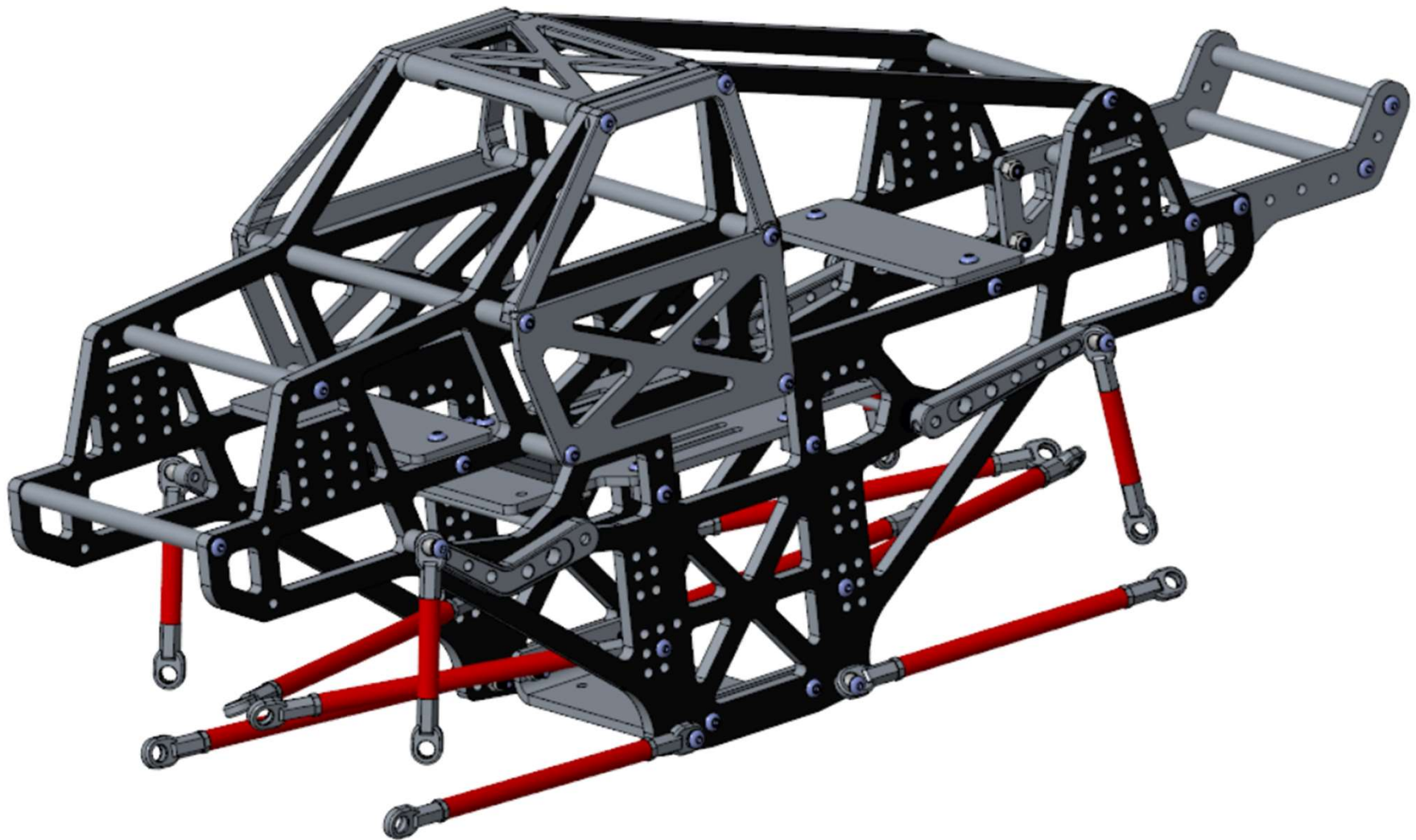


KK3 – FULL KIT



PART	AR60 Kit	Clod Kit	FreestyleRC Kit
Chassis Plate	2	2	2
Battery Tray	1	1	1
Transmission Tray	1	1	1
Electronic Tray	2	2	2
Roll bars	2	2	2
85mm Crossmember	5	5	5
72mm Crossmember	2	2	2
Universal Block	8	8	8
Spacer (1/4") (for SCS Transmission)	2	-	2
4-Link Kit	1	1	1
FreestyleRC Swaybar kit	1	1	1
Swaybar connector rods	4	4	4
Swaybar bushings	4	4	4
M3 x 20 Rounded Head Screw	8	8	8
M3 x 16 Rounded Head Screw	10	14	6
M3 x 12 Rounded Head Screw	8	8	8
M3 x 8 Rounded Head Screw	16	16	16
M3 Nylon Locknut	16	20	16
FOLLOWING KITS PART LIST ON NEXT PAGE			
Cage kit	1	1	1
Wheelie bar kit	1	1	1
AR60 Shock Mount kit	1	-	-
Clod Dual Shock Mount kit	-	1	-

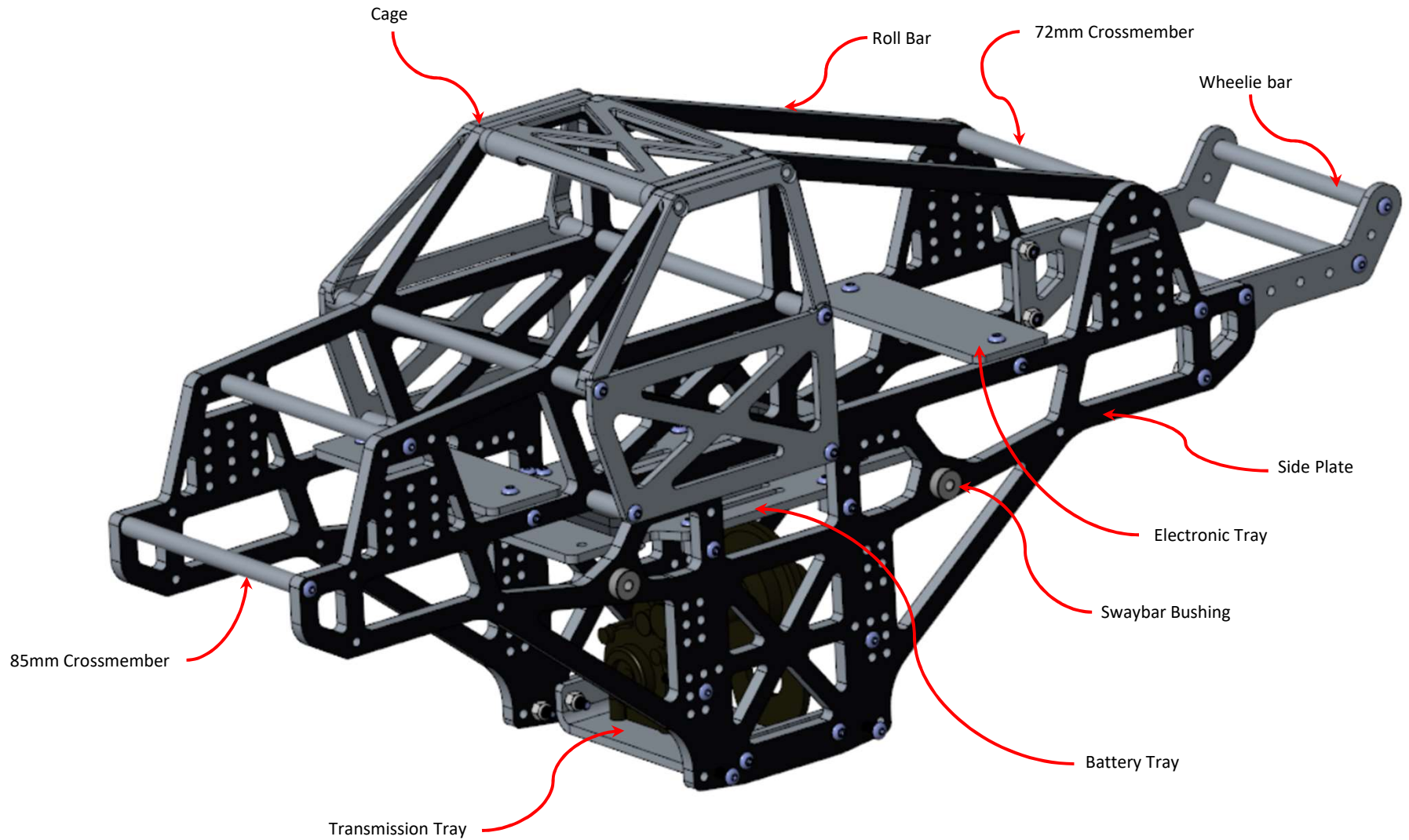
CAGE KIT - PARTS LIST	Qty
Side plate	2
Angles cage brace	2
Cage top plate	1
Spacer (11/16")	4
M3 x 20 Rounded Head Screw	4
M3 x 30 Rounded Head Screw	6
M3 x 35 Rounded Head Screw	2
M3 Nylon Locknut	4

WHEELIE BAR KIT - PARTS LIST	Qty
Side plate	2
78mm crossmember	3
M3 x 12 Rounded Head Screw	10
M3 Nylon Locknut	4

AR60 SHOCK MOUNT KIT - PARTS LIST	Qty
Shock plate	4
Spacer (5/16")	4
M3 x 20	8
M3 Nylon Locknut	8

CLOD DUAL SHOCK MOUNT KIT - PARTS LIST	Qty
Shock plate	4
Spacer (1/4")	4
Spacer (5/16")	4
M3 x 25	8
M3 Nylon Locknut	8

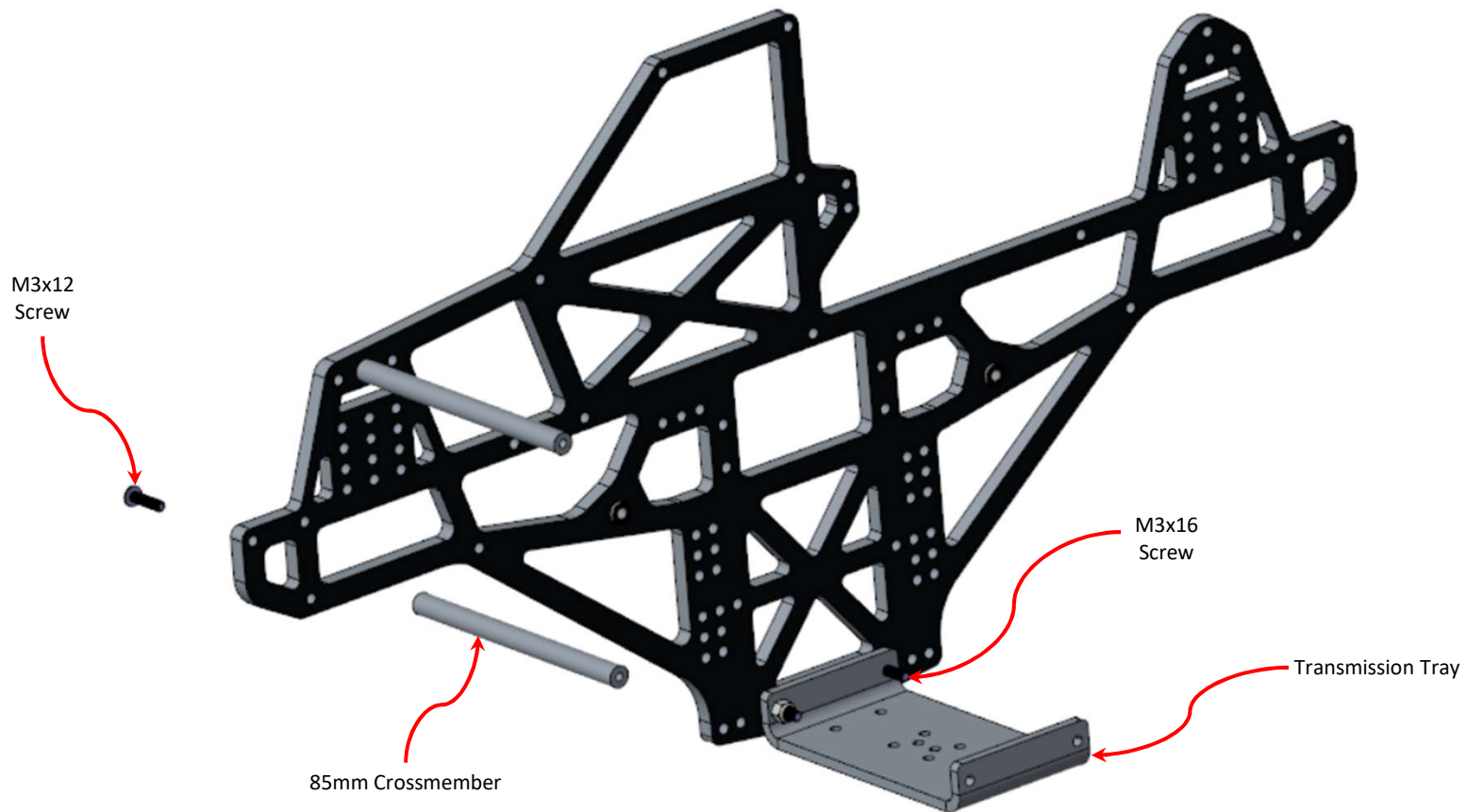
KK3 – FULL KIT



KK3 – FULL KIT

Step 1: Crossmember and Transmission Tray Installation

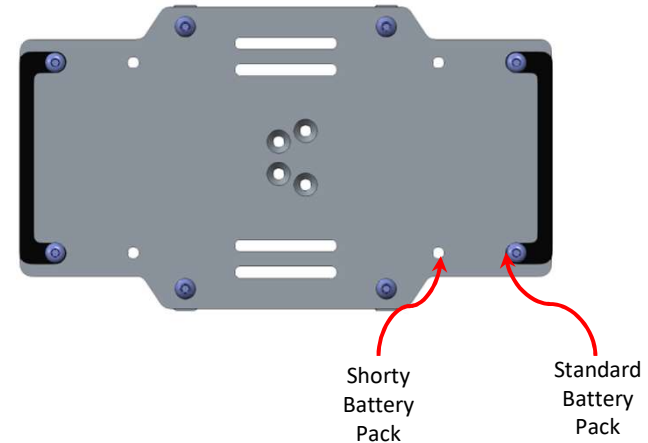
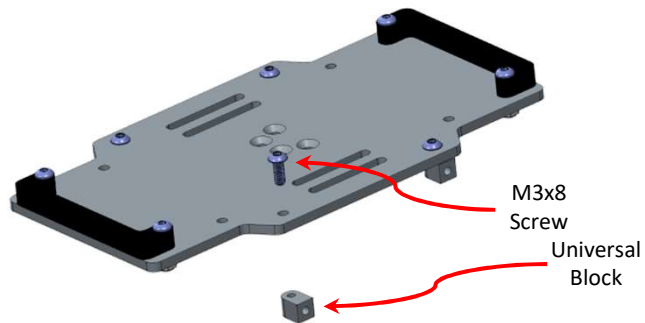
- Loosely attach two 85mm crossmembers to one side using M3 screws.
- Attach transmission tray to one side using M3 screws and locknuts.
- Transmission tray is symmetric.



KK3 – FULL KIT

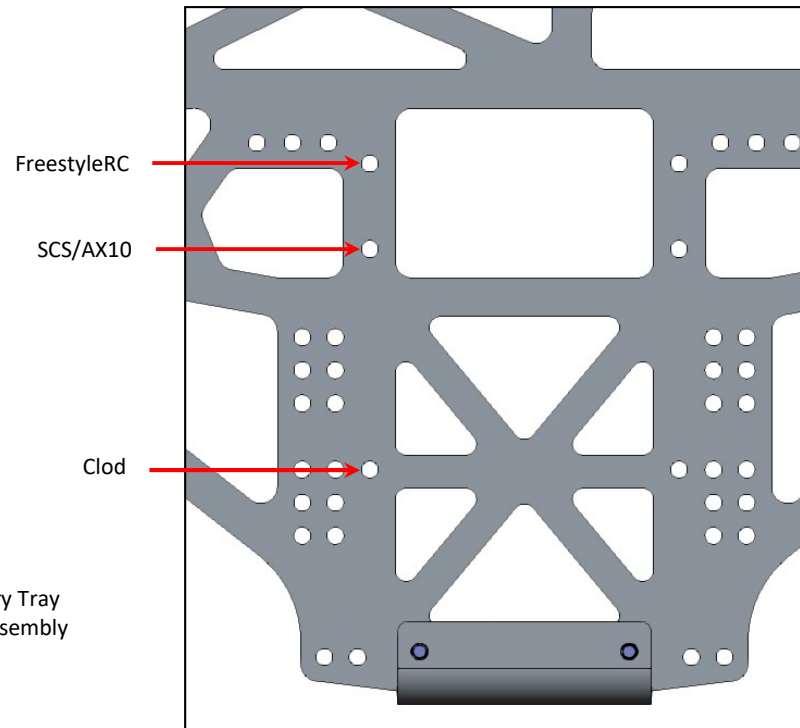
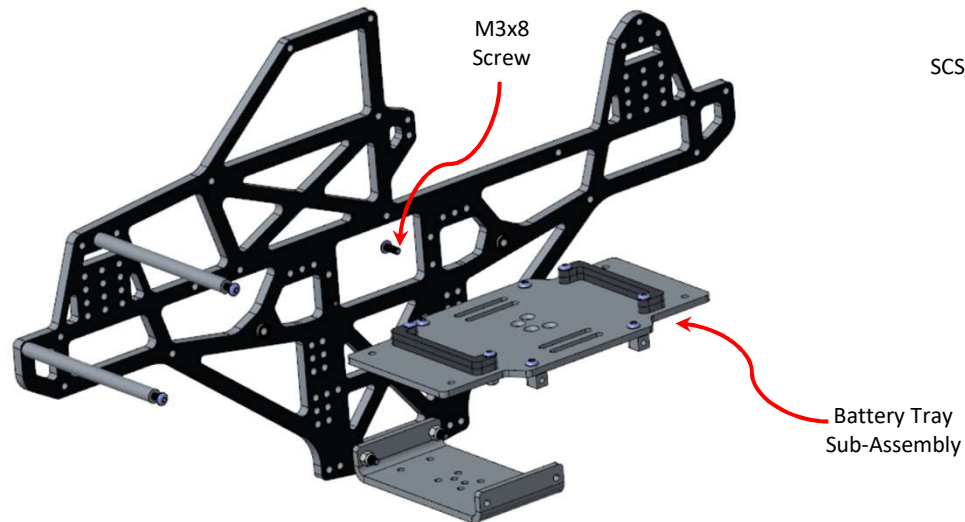
Step 2: Battery Tray Subassembly

- Attach four Universal Blocks to the battery tray using M3 screws.
- Battery tray can be setup for standard and shorty battery packs.



Step 3: Battery Tray Installation

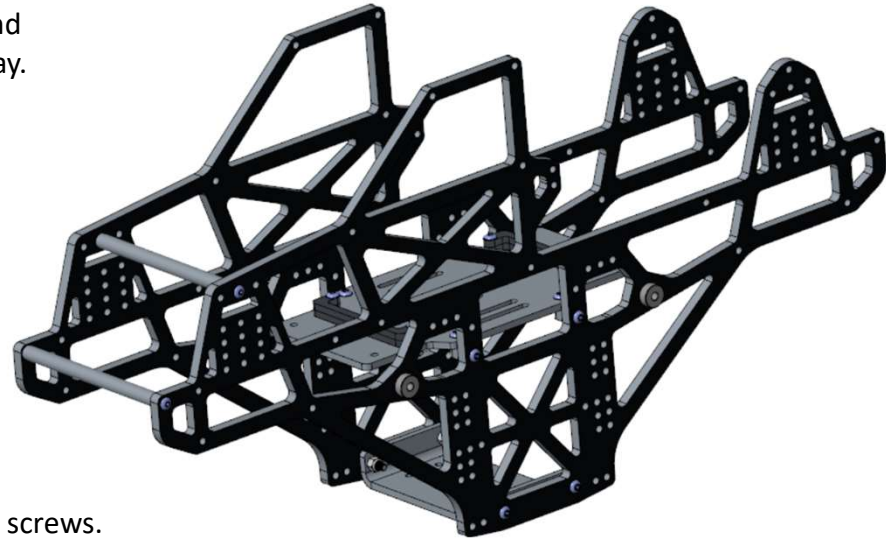
- Loosely attach battery tray subassembly using M3 screws.
- Place tray in the location that suits your setup.
- Battery tray is handed and should be installed per image.



KK3 – FULL KIT

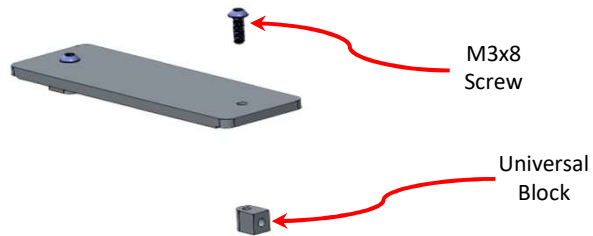
Step 4: Second Side Plate Installation

- Attach other side plate with M3 screws for crossmembers and battery tray, and M3 screws and nuts for the transmission tray.



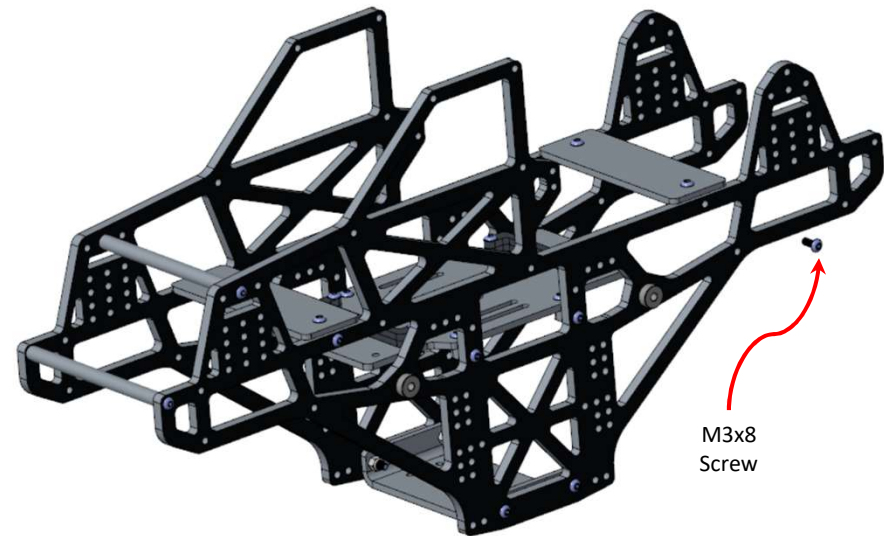
Step 5: Electronic Tray Subassembly

- Attach two Universal Blocks to each electronic tray using M3 screws.
- Build two electronic tray subassemblies.



Step 6: Electronic Tray Installation

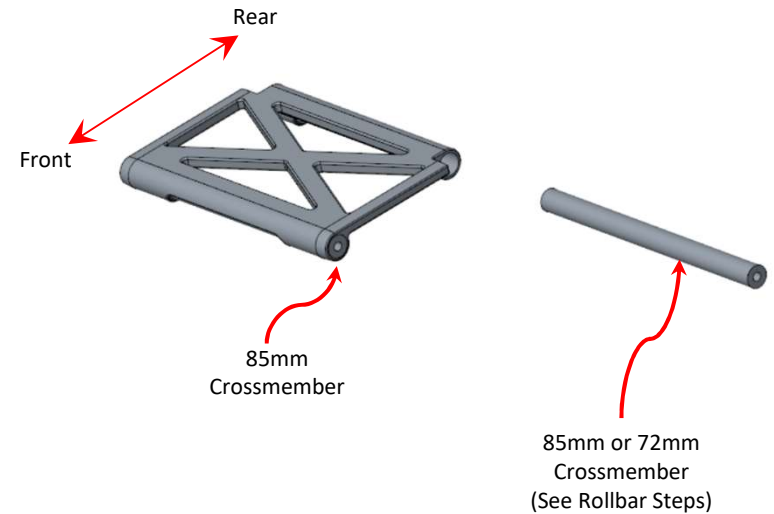
- Attach electronic tray subassemblies to the main chassis using M3 screws.
- The electronic trays are handed and should be assembled with the undercut side touching the chassis rails.



KK3 – FULL KIT

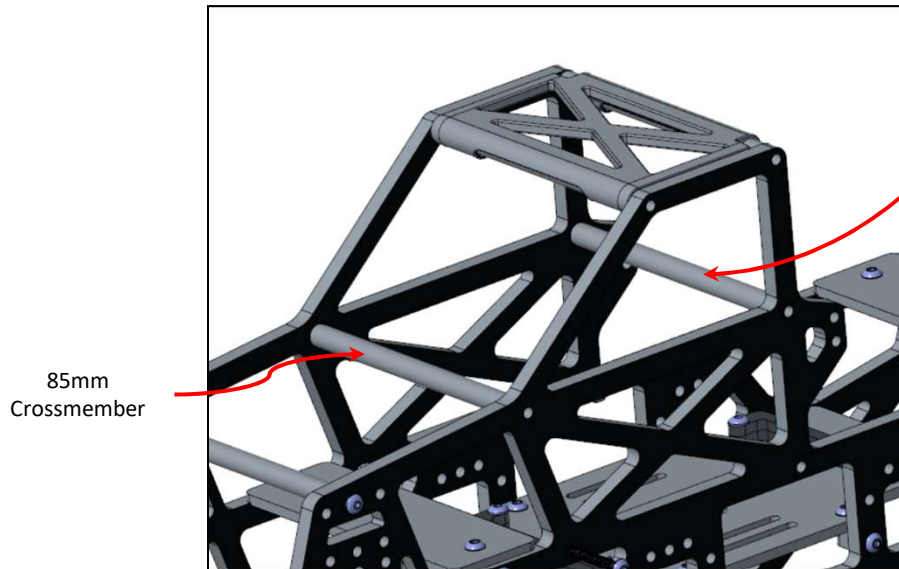
Step 7: Cage Top Plate Subassembly

- Slide an 85mm crossmember through the front section of the top plate.
- Slide an 85mm or 72mm crossmember through the rear section of the top plate.
- See rollbar installation steps for identifying which crossmember to use on rear section of top plate.



Step 8: Cage Top Plate and Crossmember Installation

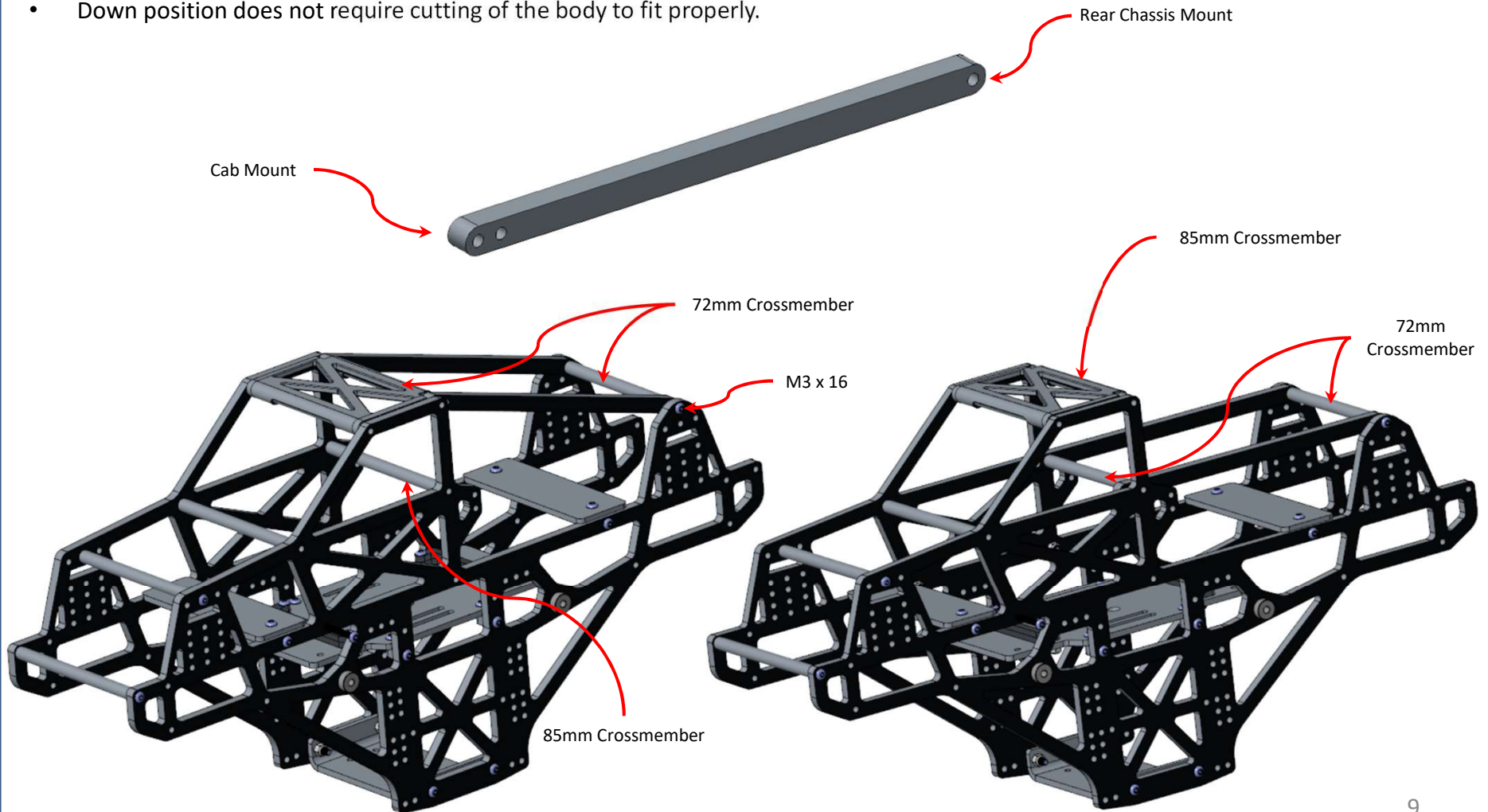
- Slide crossmembers into place. No hardware installation at this time.
- Slide cage top plate subassembly into place.



KK3 – FULL KIT

Step 9: Roll Bar Installation

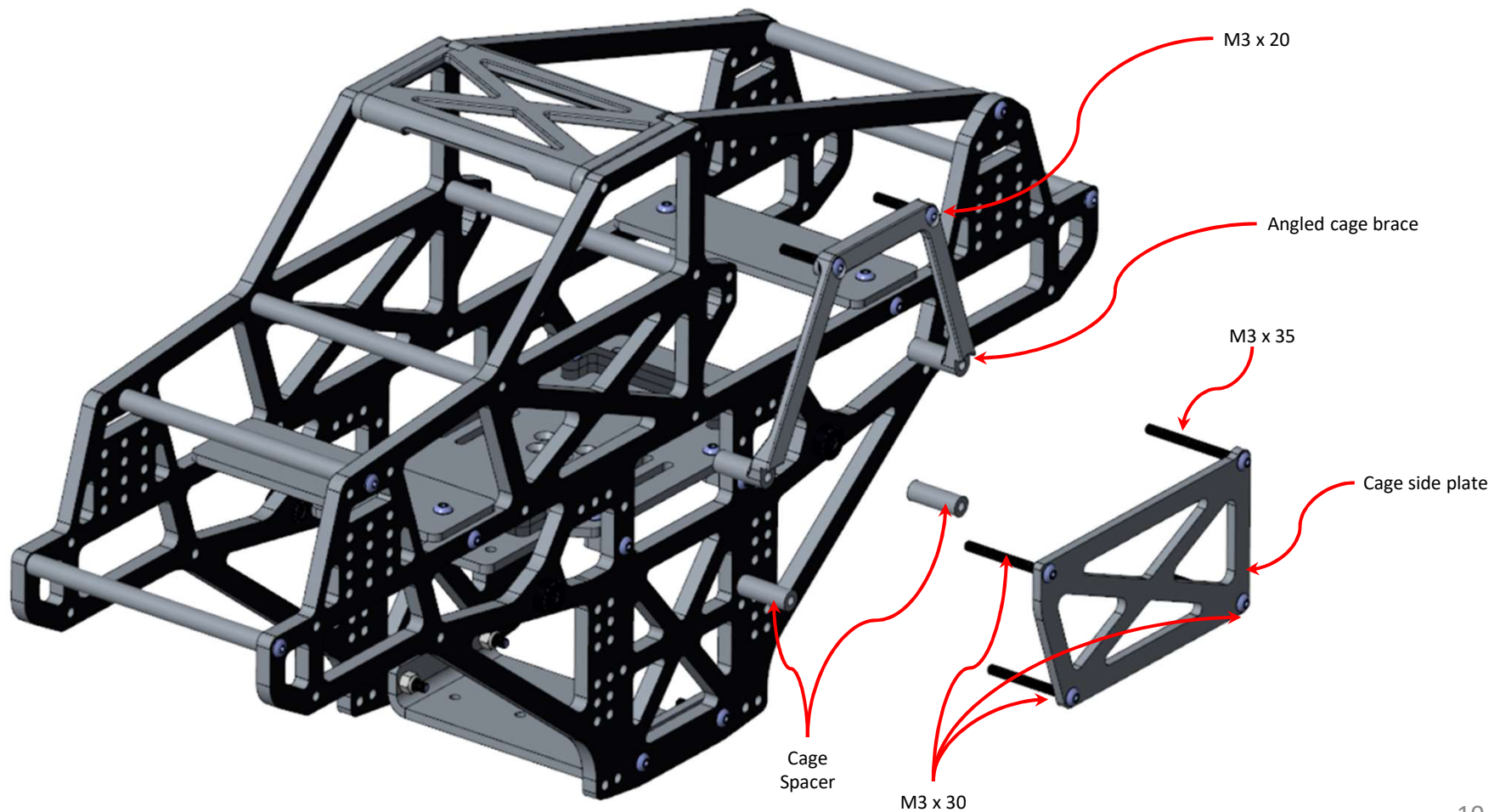
- Roll bars can be installed in an up position or down position.
- Roll bars are handed. Refer to image for orientation.
- Up position requires cutting of the body to fit properly. This allows the roll bars to be exposed through the body similar to full scale monster trucks.
- Down position does not require cutting of the body to fit properly.



KK3 – FULL KIT

Step 10: Cage Installation

- Install angled cage brace side first. Use M3 hardware to tighten top joints first.
- Attach cage side plate by bolting through the lower connections of the angled cage brace. Note the front and rear hardware are different lengths.
- Slide the cage spacers into place. Bolt together using M3 hardware and locknuts.
- Repeat steps for other side.



KK3 – FULL KIT

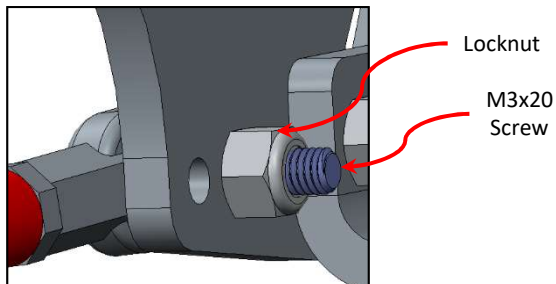
Step 11: 4-Link Installation

- Below are the hole-to-hole link lengths for each setup. Verify link lengths before proceeding.

Link	AR60 Axles	Clod Axles	FreestyleRC Axles
Upper	125mm	138mm	118mm
Lower	118mm	118mm	138mm

Step 12: 4-Link Installation

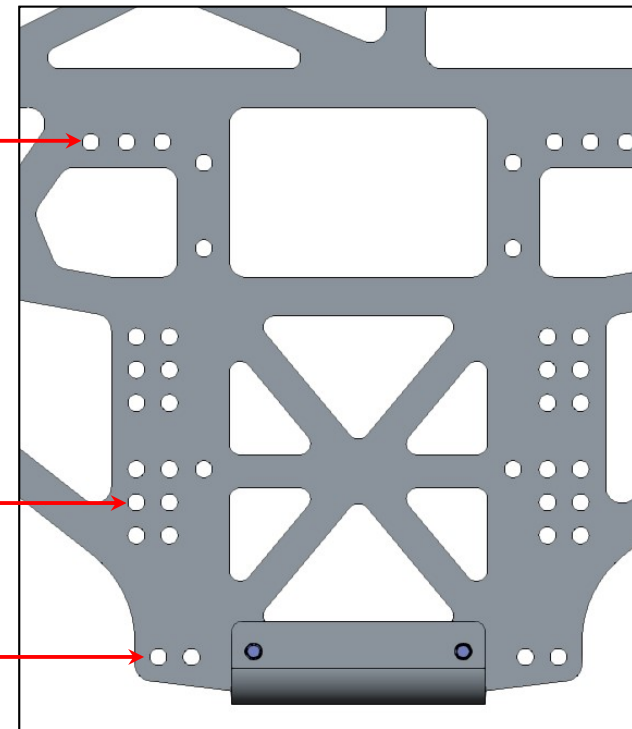
- Identify connection points on the chassis.
- Mount upper links to the inside of the chassis.
- Lower Links may be mounted to the inside or outside of the chassis per personal preference.
- All link to chassis connections use the following hardware.



Upper Links: Clod

Upper Links: AR60,
Freestyle RC

Lower Links: AR60,
Clod, FreestyleRC



Step 13: Axle Shock Mount Setup

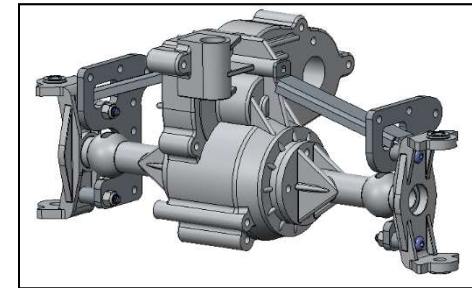
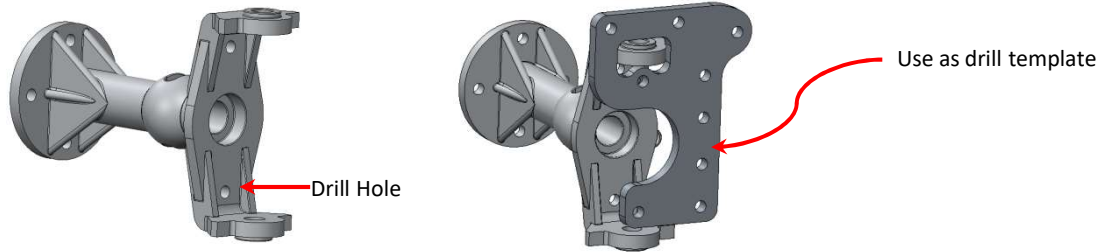
- The Clodbuster and AR60 chassis kits come with a dual shock kit.
- The FreestyleRC kit does not require a dual shock kit.
- The following two pages contain steps for dual shock kit installations.

Clod Dual Shock Mount Instructions

KK3 – FULL KIT

Step 14.1:

- Drill 1/8" hole in plastic axle tube. The shock bracket can be used as a template to mark the lower hole.

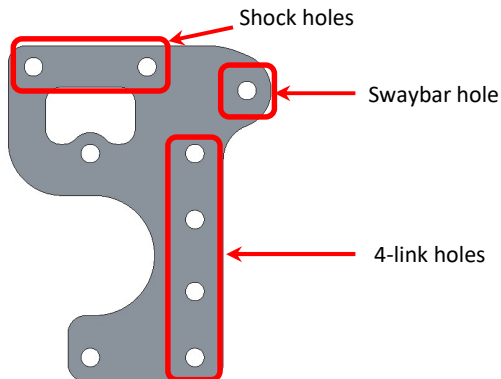
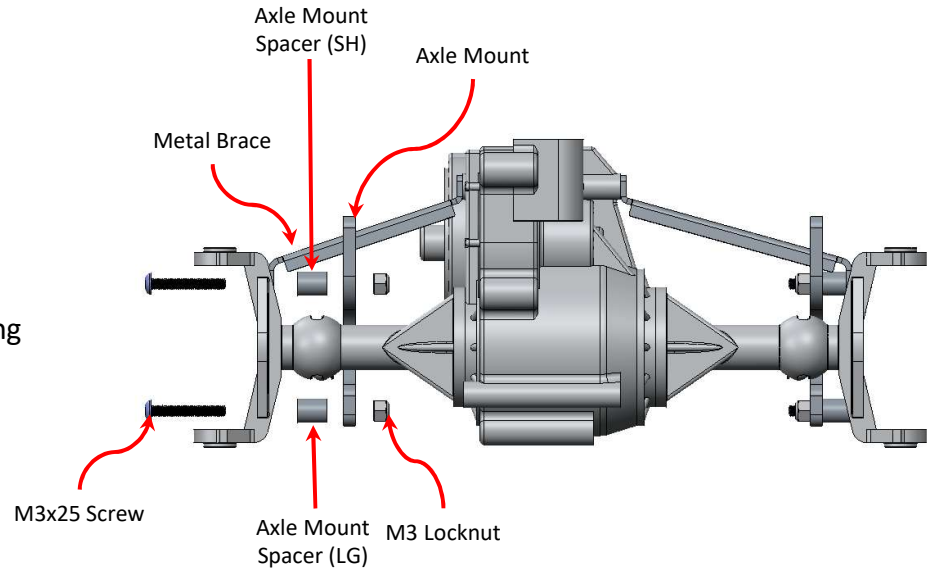


Step 14.2:

- Slide axle metal brace through shock bracket and screw metal brace to the main body of the axle case.

Step 14.3:

- Install short spacer on top by installing M3 screw and tightening with the provided locknut.
- Repeat for bottom hole using the long spacer.
- Complete all installations.



AR60 Dual Shock Mount Instructions

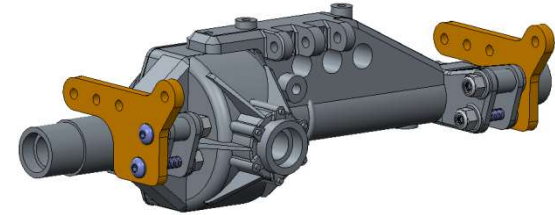
KK3 – FULL KIT

Step 15.1:

- Install one dual shock bracket at a time. Place bracket on outside of axle link mount.

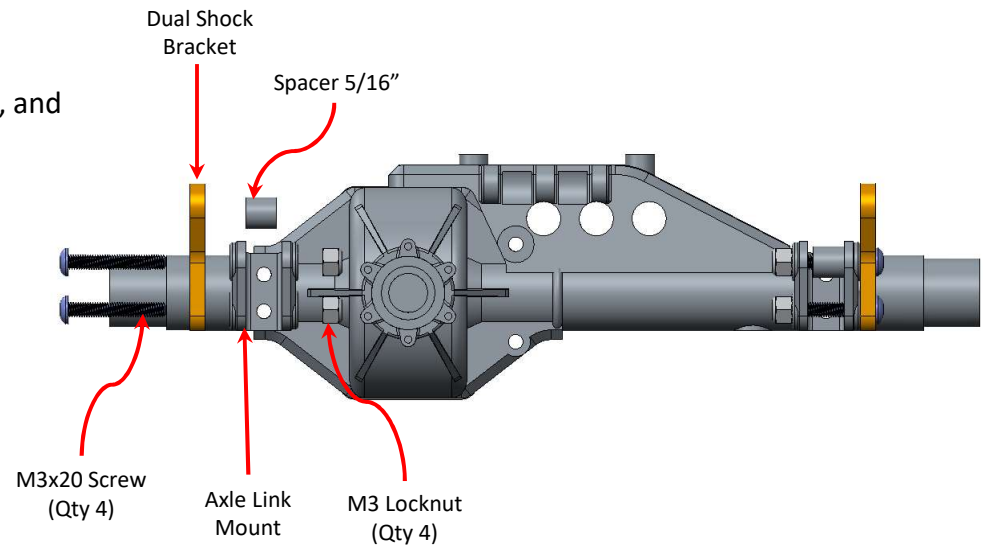
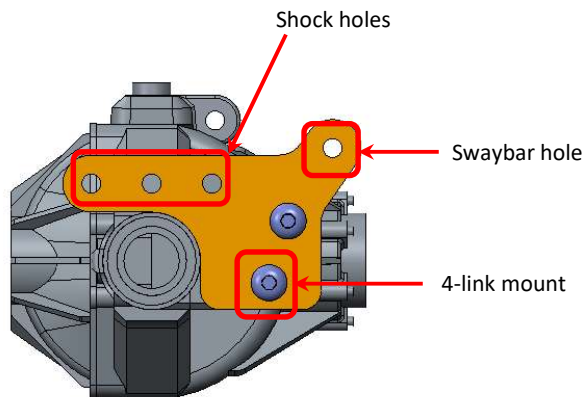
Step 15.2:

- Insert screw through top bracket hole and through the axle link mount. While sliding through, insert the 5/16" spacer and fasten using a locknut.



Step 15.3:

- Insert bottom 4-link bar in lower location.
- Slide screw through the bottom bracket hole, 4-link rod end, and axle link mount.
- Fasten using a locknut.
- Repeat for other side.

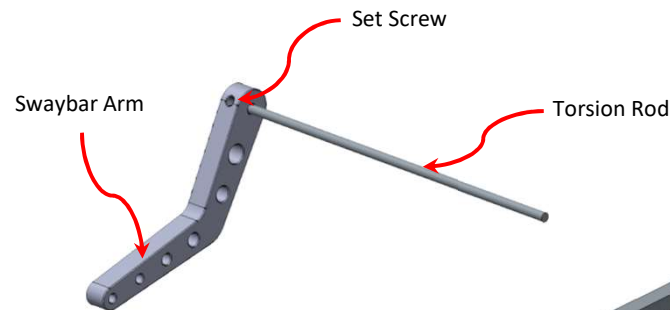


KK3 – FULL KIT

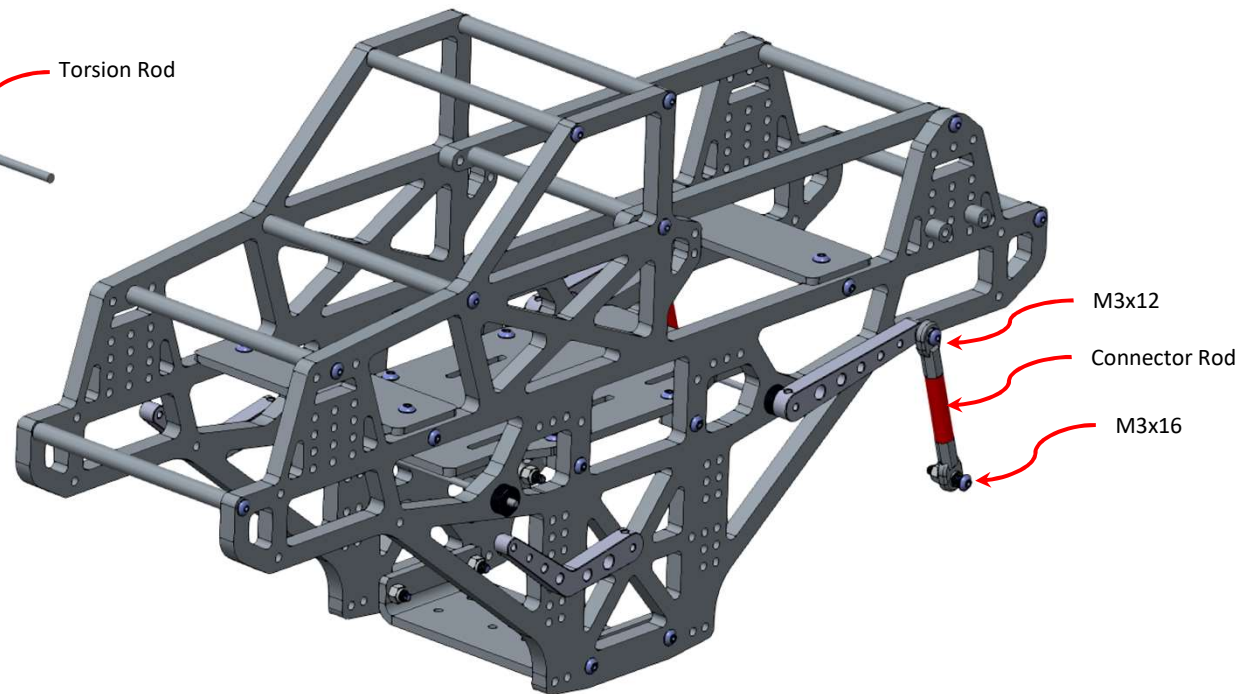
Step 16: Swaybar Installation

- Remove set screw(s) from the swaybar arm, slide in torsion rod with flat spot oriented towards the set screw(s). Apply blue thread locker to the set screw(s) and install tight.
- Slide swaybar and torsion rod through the bushings, and repeat the first bullet to install the other swaybar arm.
- Use M3x12 screws to attach swaybar connector rods to the swaybar arms. Verify connector rod length in provided chart.
- Use M3x16 screws to attach swaybar connector rods to the dual shock kits for AR60 and Clod setups.

AR60 Axles	Clod Axles	FreestyleRC Axles
Hole-to-hole Lengths		
55.4mm	55.4mm	68mm



*Swaybar image is for reference only



Wheelie Bar Instructions

KK3 – FULL KIT

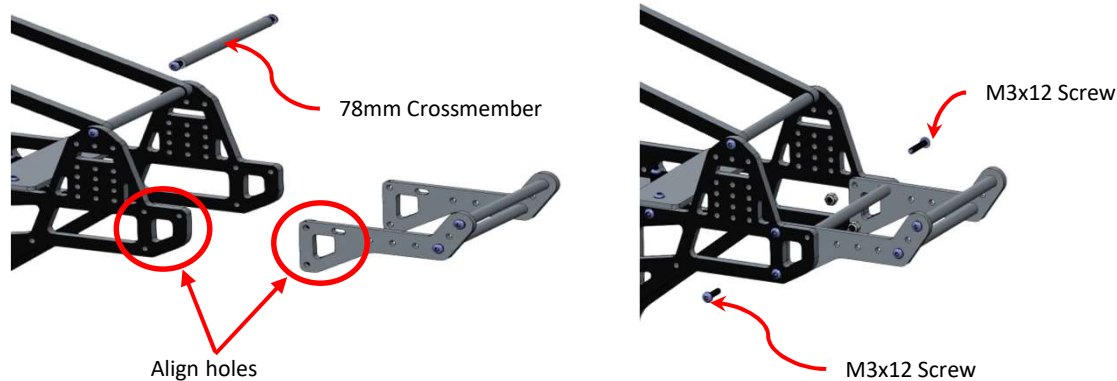
Step 17.1:

- Loosely attach two 78mm crossmembers to one wheelie bar plate using M3 screws.
- Attach the second wheelie bar plate using M3 screws



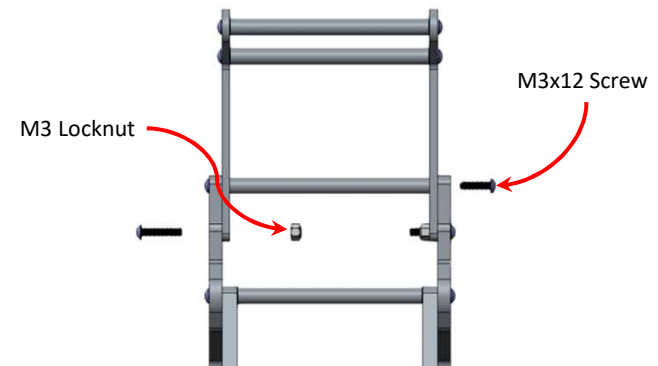
Step 17.2:

- Slide wheelie bar assembly into the chassis and align the holes shown below.
- Insert 78mm crossmember in place of existing 78mm crossmember.

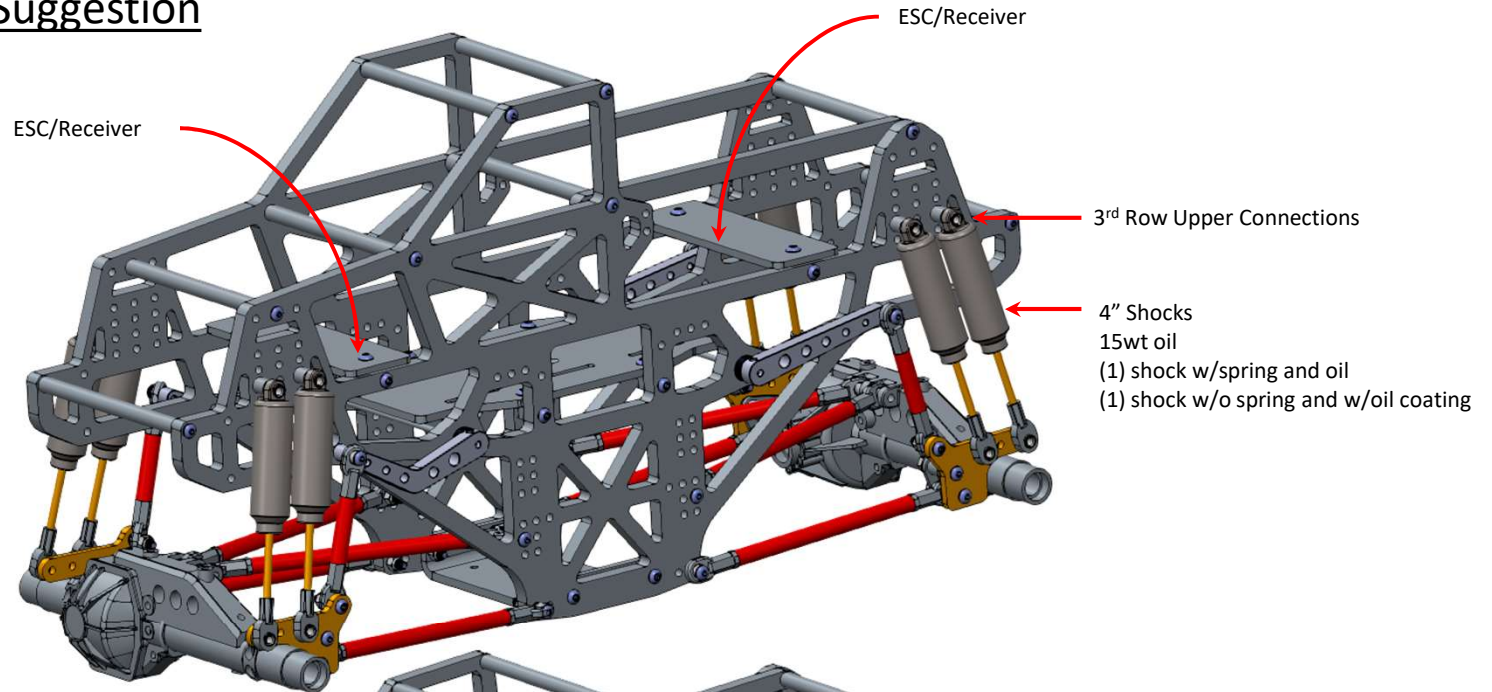


Step 17.3:

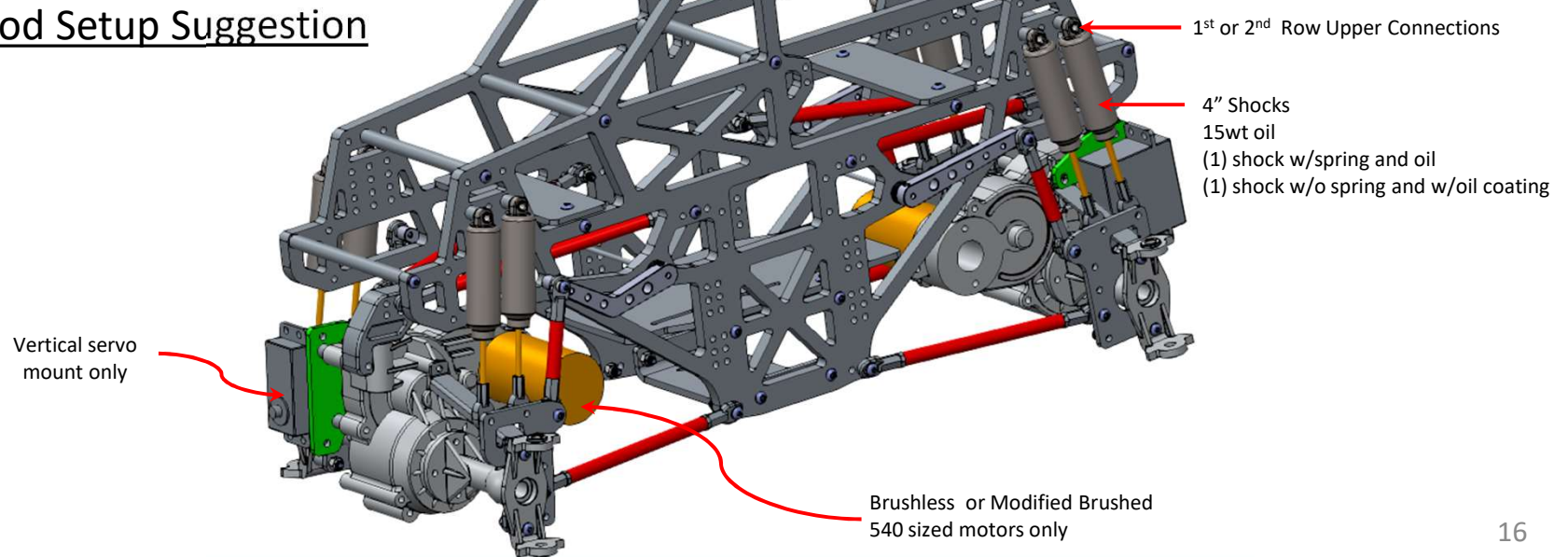
- Install two M3 screws into the 78mm crossmember.
- Install four M3 screws and locknuts into the remaining holes.
- Tighten all fasteners snug to complete installation,.



KK3 AR60 Setup Suggestion



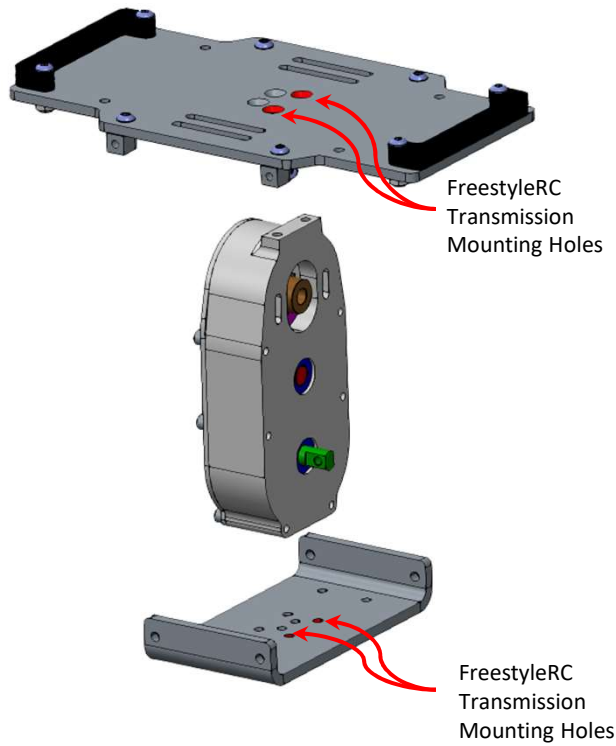
KK3 Clod Setup Suggestion



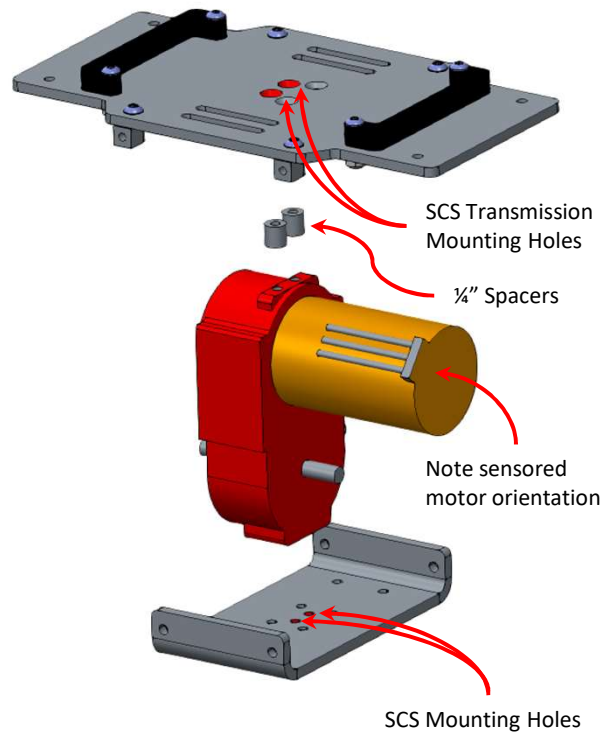
KK3 Center Transmission

KK3 – FULL KIT

FreestyleRC



SCS



AX10

