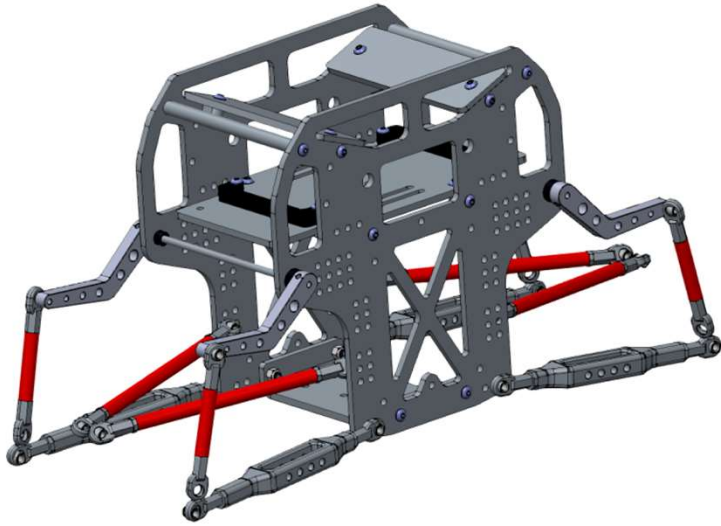


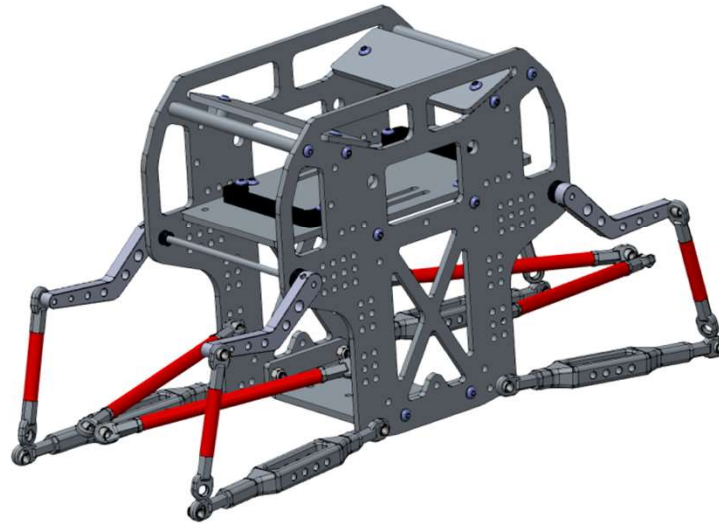
KKR Chassis Assembly Instructions

KKR

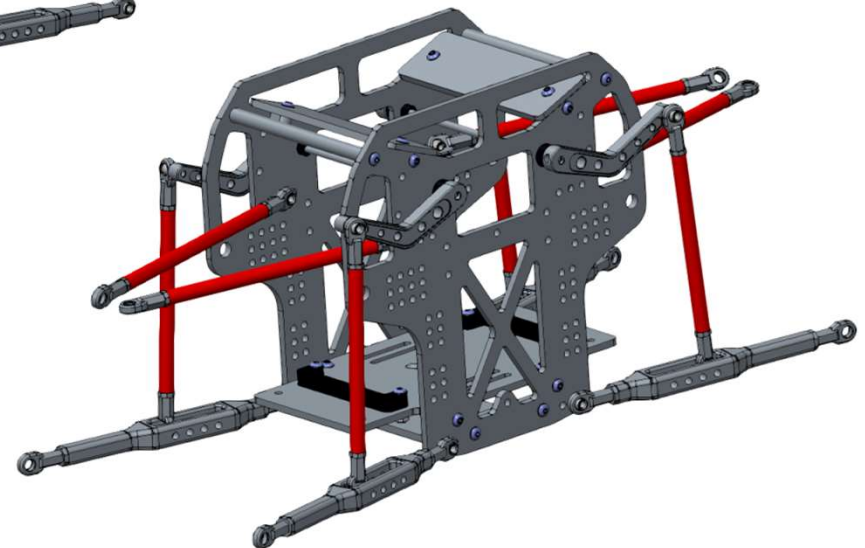
AR60



FREESTYLERC



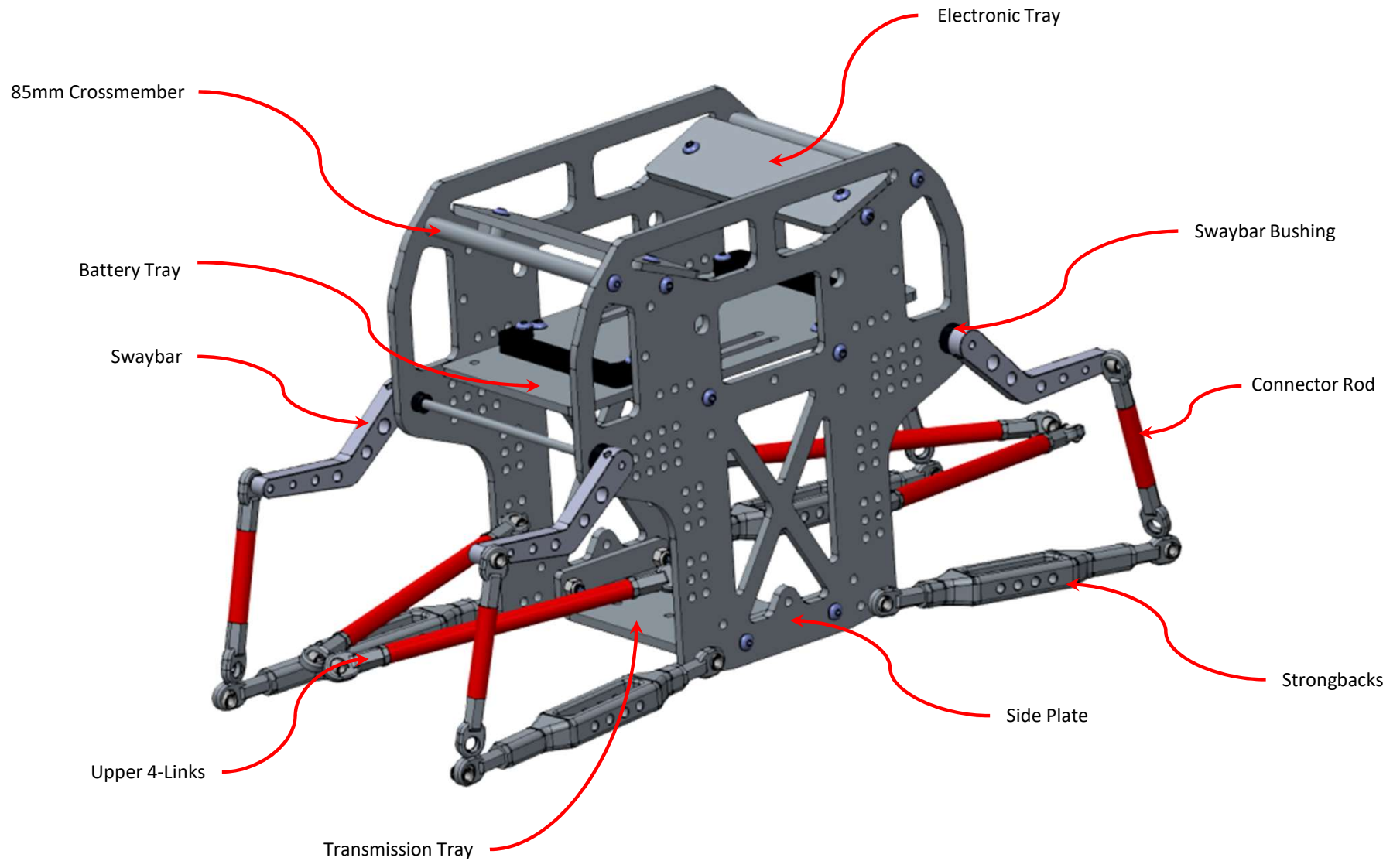
CLOD



PART	AR60 Kit	Clod Kit	FreestyleRC Kit
Chassis Plate	2	2	2
Battery Tray	1	1	1
Transmission Tray	1	1	1
Electronic Tray	2	2	2
85mm Crossmember	2	2	2
Universal Block	8	8	8
Upper 4-Link Kit	1	1	1
Strongbacks Kit	1	1	1
FreestyleRC Swaybar kit	1	1	1
Swaybar connector rods	4	4	4
Swaybar bushings	4	4	4
M3 x 20 Rounded Head Screw	4	4	4
M3 x 16 Rounded Head Screw	4	4	4
M3 x 12 Rounded Head Screw	12	12	12
M3 x 8 Rounded Head Screw	8	8	8
M3 Washer	12	12	12
M3 Jam Nut	12	12	12
M3 Nylon Locknut	12	12	12

Max Chassis Assembly Instructions

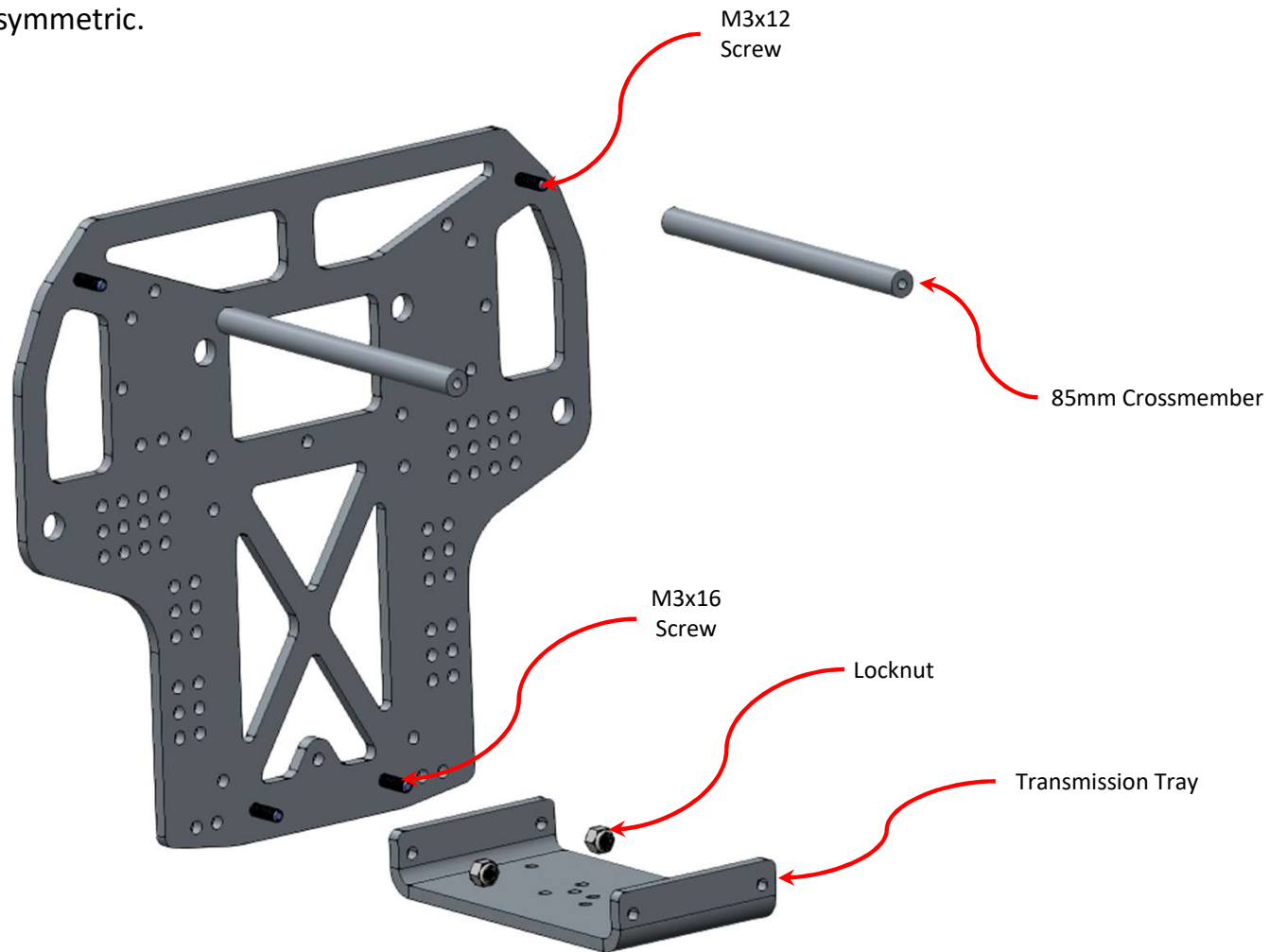
KKR



Max Chassis Assembly Instructions

Step 1: Crossmember and Transmission Tray Installation

- Loosely attach two 85mm crossmembers to one side using M3 screws.
- Attach transmission tray to one side using M3 screws and locknuts.
- Transmission tray is symmetric.

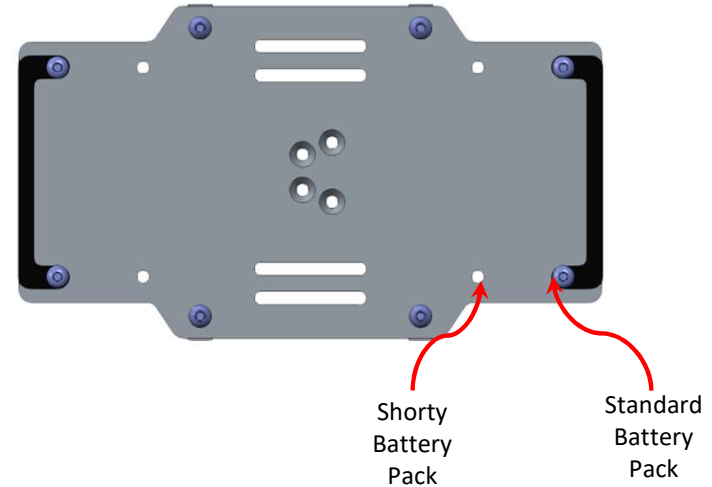
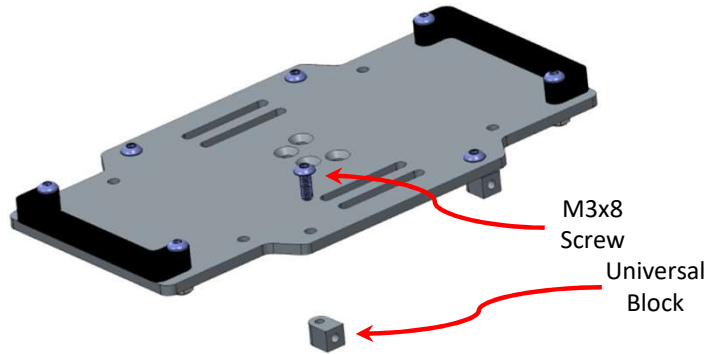


Max Chassis Assembly Instructions



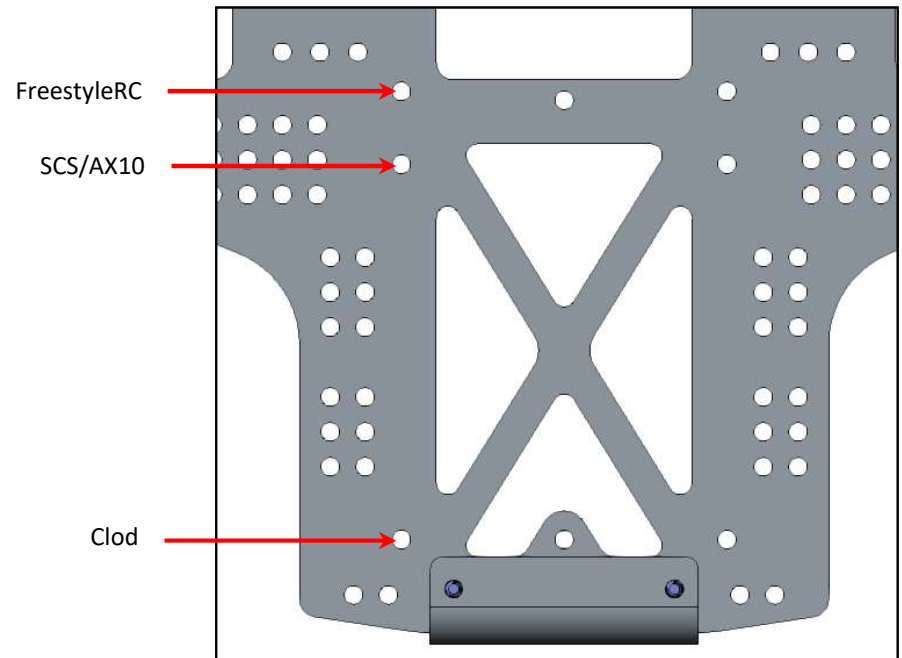
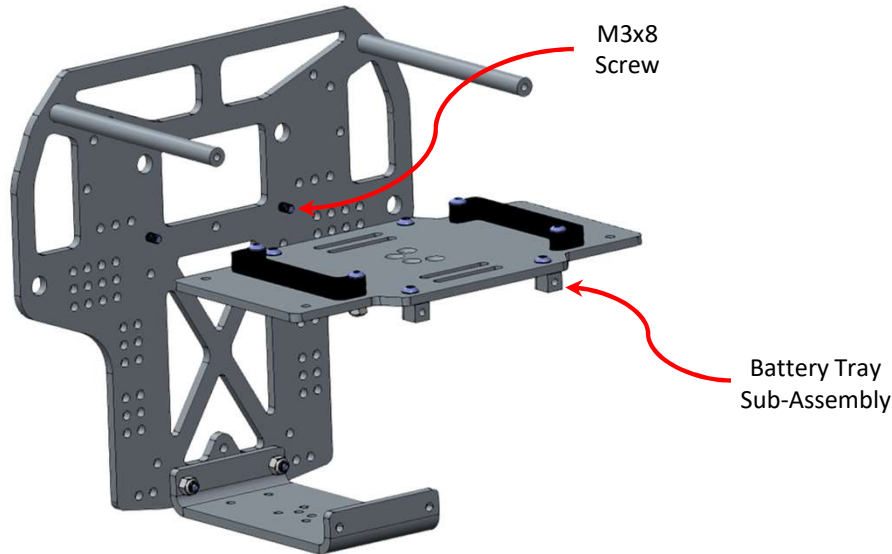
Step 2: Battery Tray Subassembly

- Attach four Universal Blocks to the battery tray using M3 screws.
- Battery tray can be setup for standard and shorty battery packs.



Step 3: Battery Tray Installation

- Loosely attach battery tray subassembly using M3 screws.
- Place tray in the location that suits your setup.
- Battery tray is handed and should be installed per image.

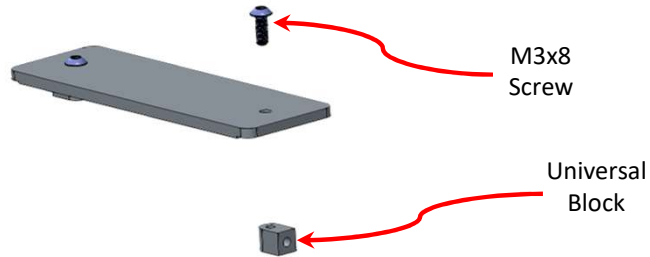


Max Chassis Assembly Instructions



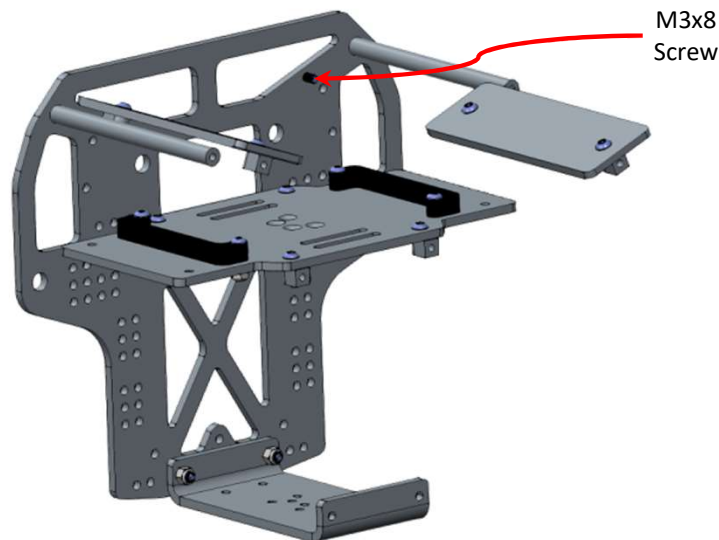
Step 4: Electronic Tray Subassembly

- Attach two Universal Blocks to each electronic tray using M3 screws.
- Build two electronic tray subassemblies.



Step 5: Electronic Tray Installation

- Attach electronic tray subassemblies to the main chassis using M3 screws.
- The electronic trays are handed and should be assembled with the undercut side touching the chassis rails.
- Electronic trays can be installed in three positions.

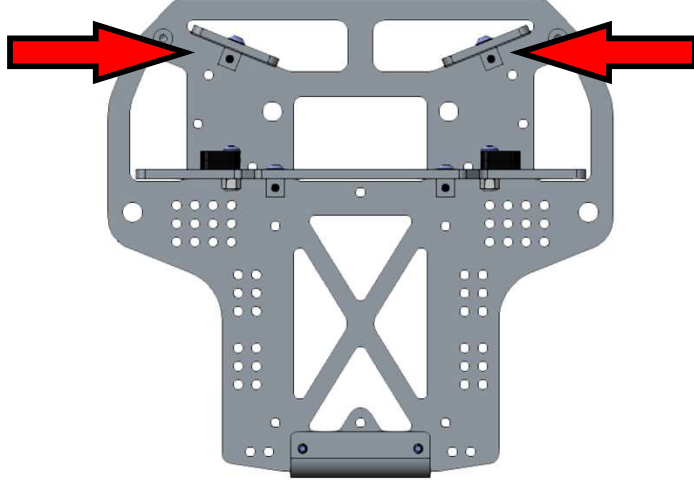


Max Chassis Assembly Instructions

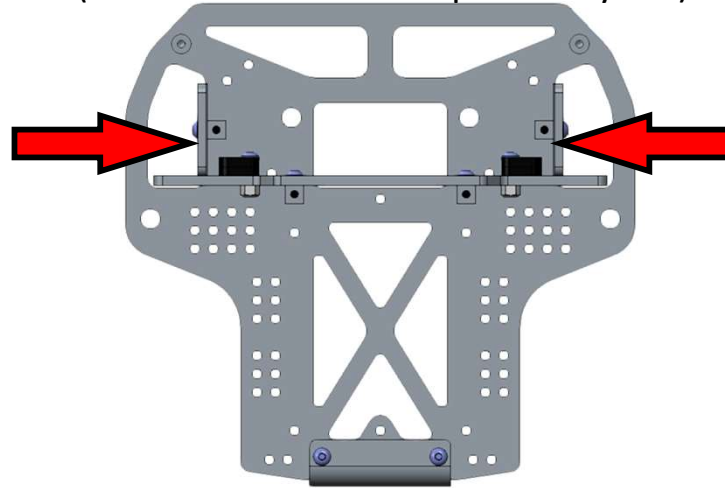


Electronic Tray Position Options

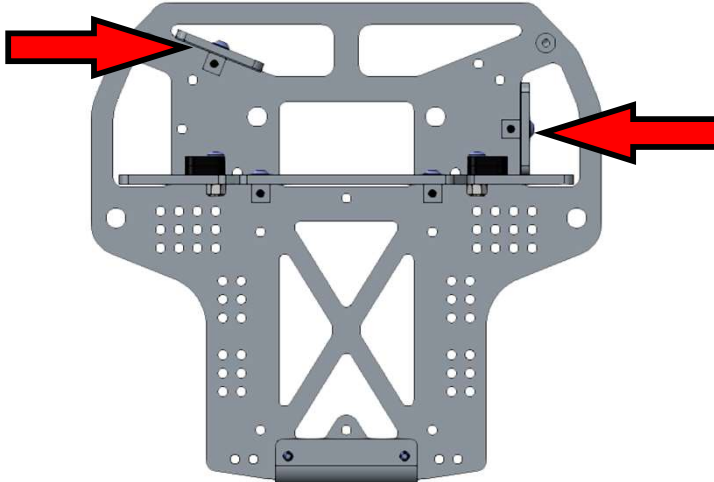
POSTION 1
(Can be used with Clod, AR60, or FS setups)



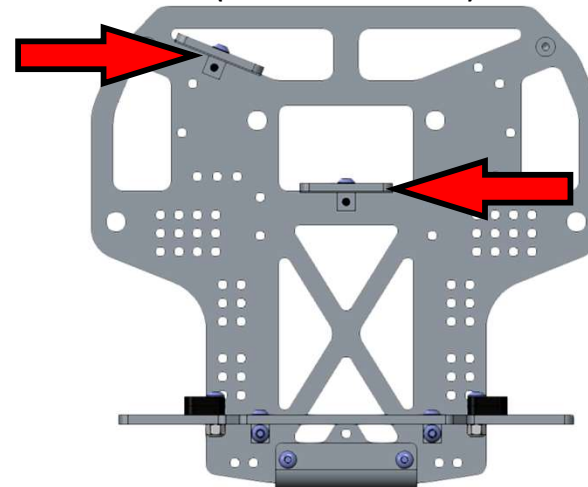
POSTION 2
(Can be used with AR60 or FS setups with Shorty Packs)



POSTION 3
(Can be used with AR60 or FS setups with Shorty Packs)



POSTION 4
(Can be used with Clod)

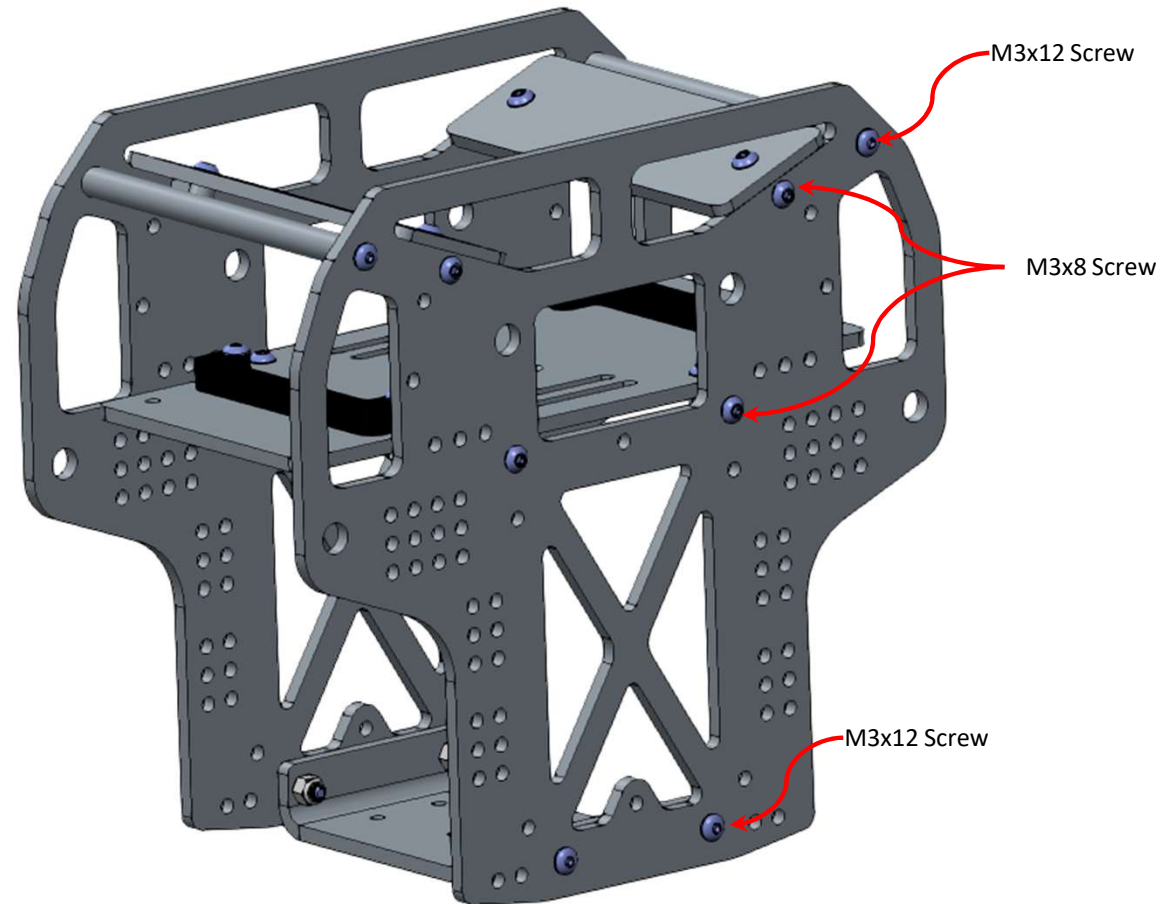


Max Chassis Assembly Instructions

KKR

Step 6: Second Side Plate Installation

- Attach other side plate with M3 screws for crossmembers and battery tray, and M3 screws and nuts for the transmission tray.



Max Chassis Assembly Instructions



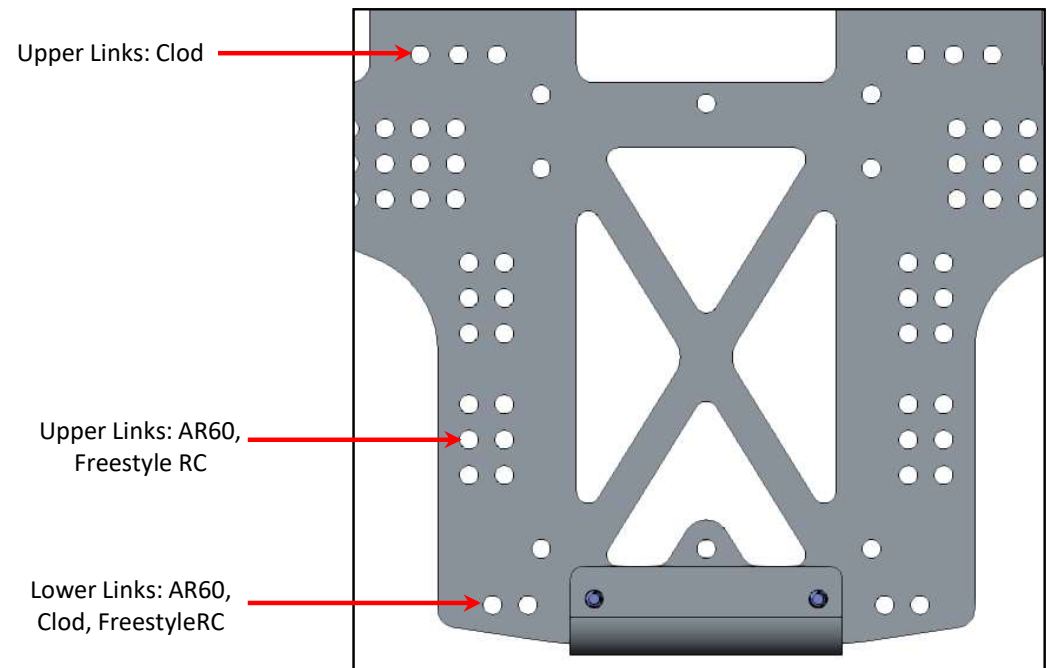
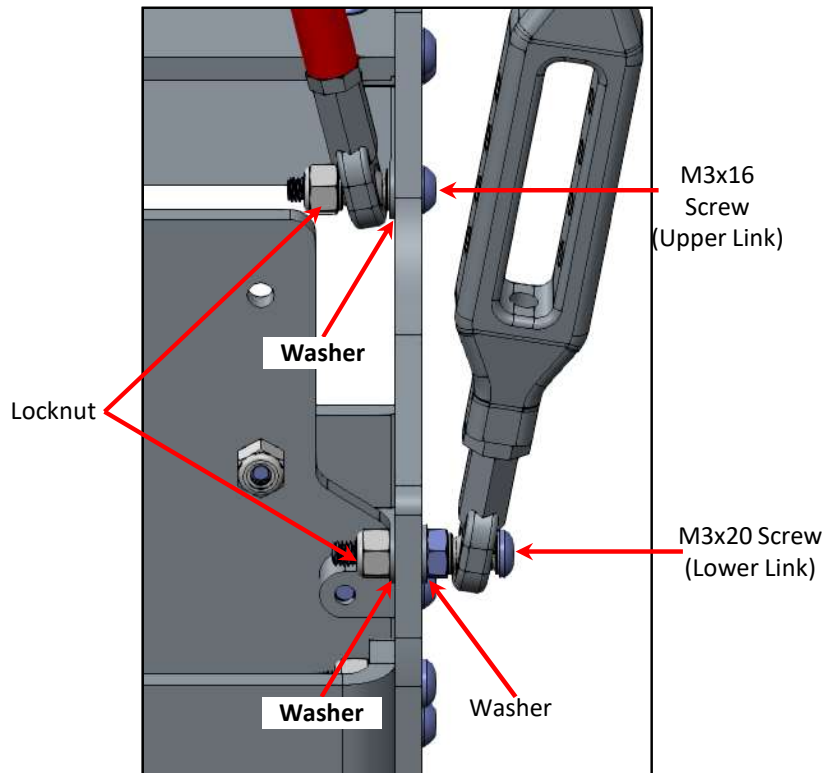
Step 7: 4-Link Installation

- Below are the hole-to-hole link lengths for each setup. Verify link lengths before proceeding.

Link	AR60 Axles	Clod Axles	FreestyleRC Axles
Upper	125mm	138mm	118mm
Lower	118mm	135mm	135mm

Step 8: 4-Link Installation

- Identify connection points on the chassis.
- Mount upper links to the inside of the chassis.
- Mount lower links to the outside of the chassis.

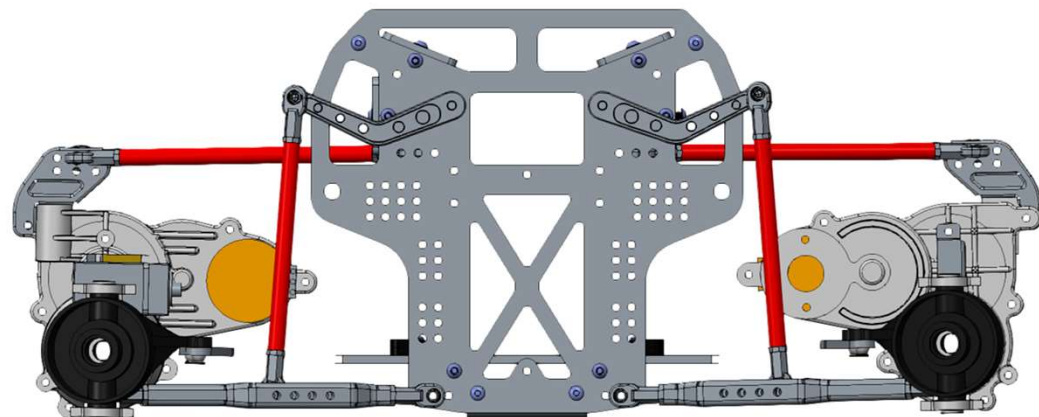
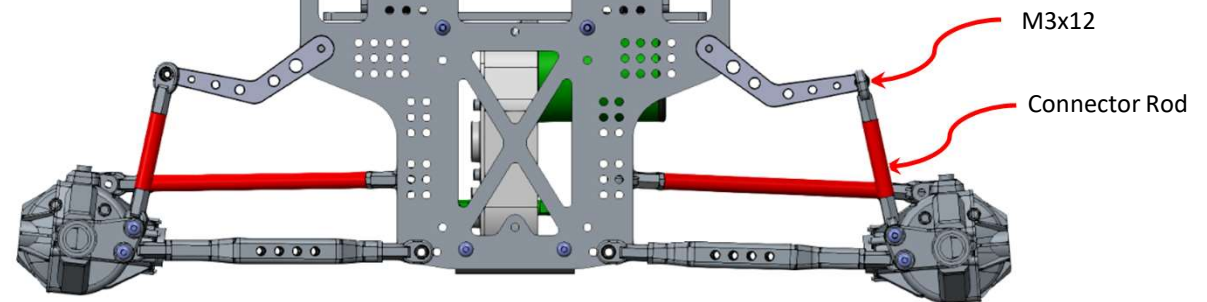
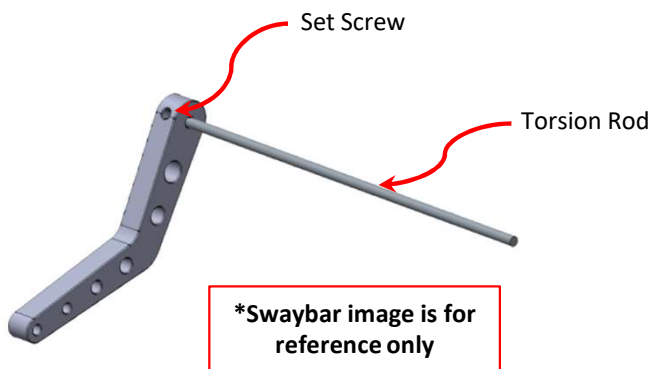
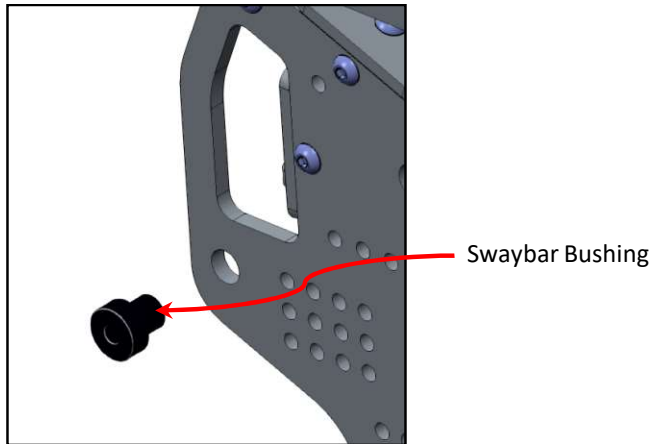


Swaybar Installation Instructions

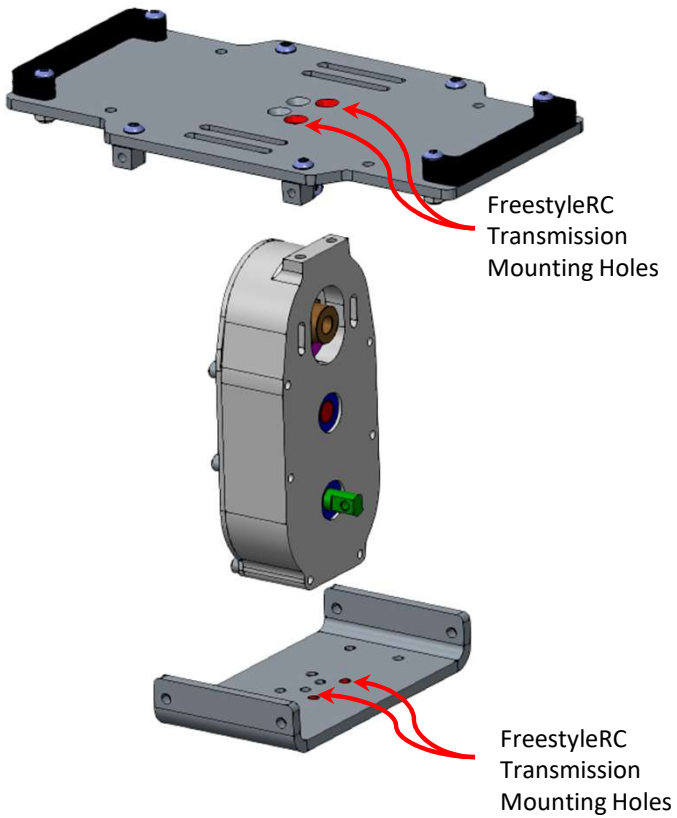
KKR

Step 9:

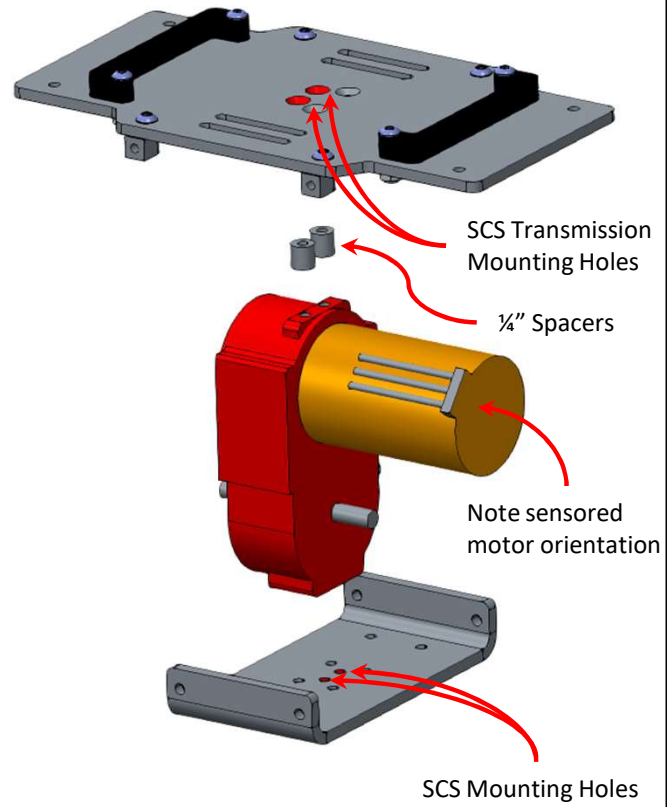
- Push swaybar bushings into 6mm holes.
- Remove set screw(s) from the swaybar arm, slide in torsion rod with flat spot oriented towards the set screw(s). Apply blue thread locker to the set screw(s) and install tight.
- Slide swaybar and torsion rod through the bushings, and repeat the first bullet to install the other swaybar arm.
- Use M3x12 screws to attach swaybar connector rods to the swaybar arms.



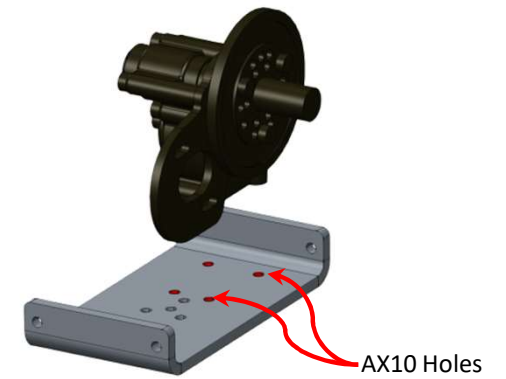
FreestyleRC



SCS



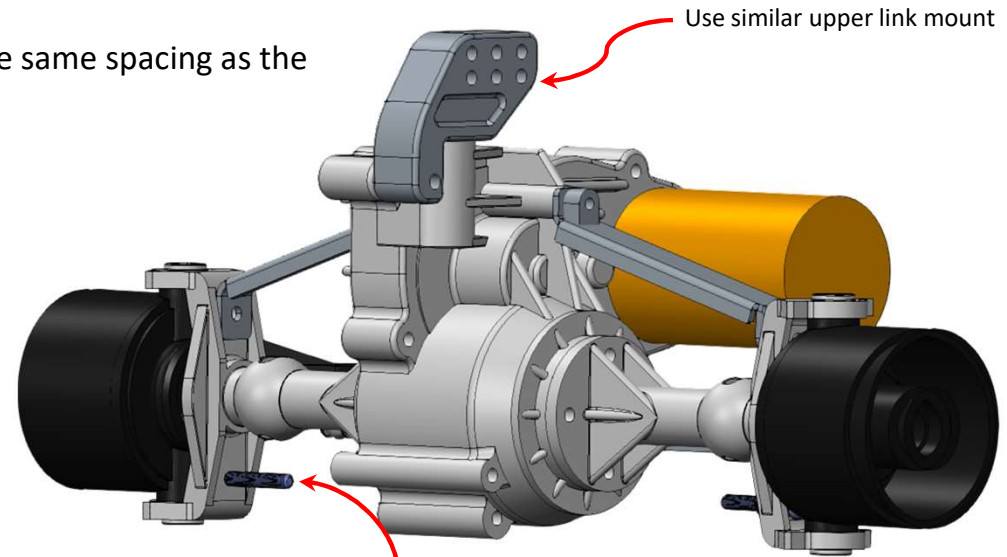
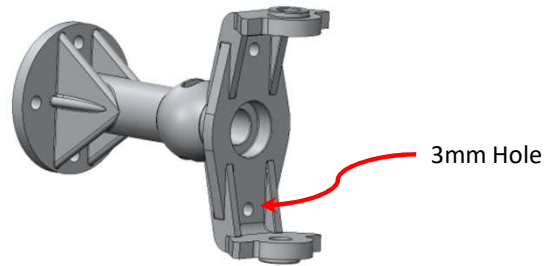
AX10



Clodbuster Axle Attachment



- The following instructions detail how to attach Clodbuster axles
- AR60 and FreestyleRC axles are not detail as they are straightforward and require no modification.
- For each axle tube, a bottom hole must be drilled. Match the same spacing as the existing holes.



Connect Strongbacks to lower hole. Screws point towards centerline of axle.

M3 jam nut or conical washer

